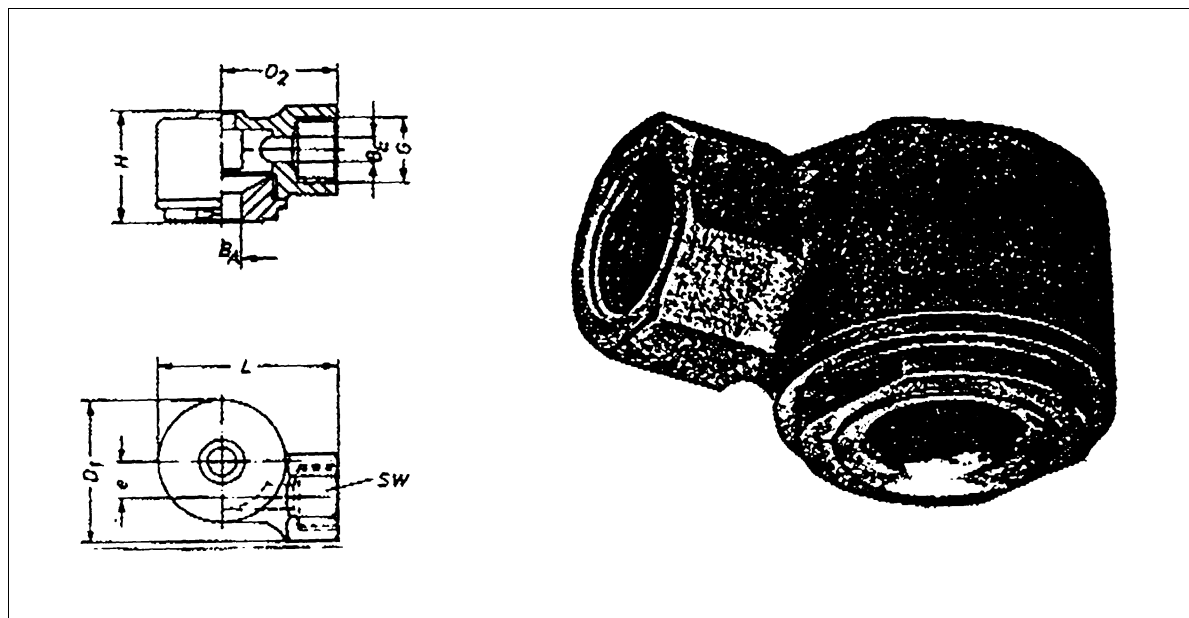


**ZRASZACZ EKSCENTRYCZNY**


|      | ∠    | Nr zraszacza |         | BA<br>Ø mm | BE<br>Ø mm | Q [ l/min ] |     |     |     |        |           | Materiał |            |         |
|------|------|--------------|---------|------------|------------|-------------|-----|-----|-----|--------|-----------|----------|------------|---------|
|      |      |              |         |            |            | p [ bar ]   |     |     |     |        |           | GG 22    | W. Nr 4410 | G-Ms 65 |
|      |      | Typ          | Rozmiar | 0,3        | 0,5        | 1           | 2   | 5   | 10  | żeliwo | ≈ En 58 H | Mosiądz  |            |         |
| E 4  | 130° | 329.118      | 26      | 13,4       | 23         | 30          | 42  | 60  | 95  | 134    | 05        | 17       | -          |         |
|      |      | 329.168      | 26      | 14,2       | 31         | 40          | 57  | 80  | 126 | 179    | 05        | 17       | -          |         |
| E 6  | 130° | 329.238      | 37      | 19,3       | 46         | 59          | 83  | 118 | 187 | 264    | 05        | 17       | -          |         |
|      |      | 329.288      | 37      | 22,1       | 62         | 80          | 113 | 160 | 253 | 358    | 05        | 17       | -          |         |
| E 8  | 130° | 329.328      | 45      | 24,7       | 78         | 100         | 142 | 200 | 316 | 448    | 05        | 17       | -          |         |
|      |      | 329.398      | 45      | 27,1       | 91         | 118         | 167 | 236 | 373 | 528    | 05        | 17       | -          |         |
| E 10 | 130° | 329.398      | 64      | 25,5       | 116        | 150         | 212 | 300 | 474 | 670    | 05        | 17       | -          |         |
|      |      | 329.448      | 64      | 33,0       | 155        | 200         | 283 | 400 | 633 | 895    | 05        | 17       | -          |         |
|      |      | 329.488      | 64      | 38,0       | 194        | 250         | 353 | 500 | 790 | 1120   | 05        | 17       | -          |         |
|      |      | 329.498      | 64      | 43,0       | 205        | 265         | 375 | 530 | 838 | 1185   | 05        | 17       | -          |         |

|      | ∠    | Nr zraszacza | Wymiary  |       |       |      |      |      |       | Ciężar (kg) |      |    |
|------|------|--------------|----------|-------|-------|------|------|------|-------|-------------|------|----|
|      |      |              | G        | D1 mm | D2 mm | e mm | L mm | H mm | SW mm | Materiał Nr |      |    |
|      |      |              |          |       |       |      |      |      |       | 05          | 17   | 30 |
| E 4  | 130° | 329.118      | R 1"     | 74    | 58    | 18   | 91   | 58   | 46    | 1,01        | 1,1  | -  |
|      |      | 329.168      |          |       |       |      |      |      |       | 1,01        | 1,1  | -  |
| E 6  | 130° | 329.238      | R 1 1/2" | 103   | 67    | 26   | 114  | 75   | 60    | 1,67        | 1,8  | -  |
|      |      | 329.288      |          |       |       |      |      |      |       | 1,67        | 1,8  | -  |
| E 8  | 130° | 329.328      | R 2"     | 125   | 85    | 33   | 140  | 91   | 75    | 2,89        | 3,1  | -  |
|      |      | 329.398      |          |       |       |      |      |      |       | 2,89        | 3,1  | -  |
| E 10 | 130° | 329.398      | R 2 1/2" | 169   | 115   | 47   | 193  | 128  | 90    | 10,00       | 10,8 | -  |
|      |      | 329.448      |          |       |       |      |      |      |       | 10,00       | 10,8 | -  |
|      |      | 329.488      |          |       |       |      |      |      |       | 10,00       | 10,8 | -  |
|      |      | 329.498      |          |       |       |      |      |      |       | 10,00       | 10,8 | -  |